

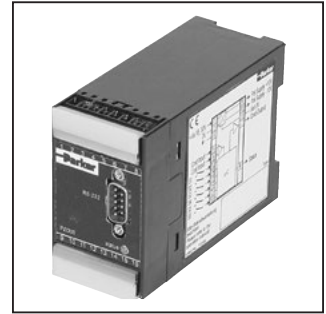
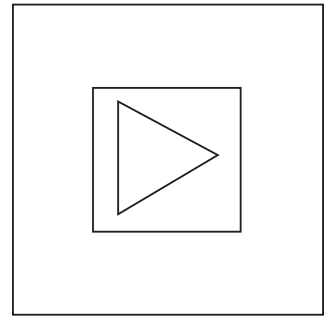
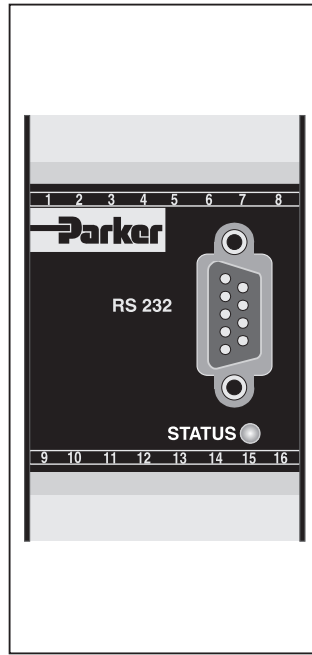
### General Description

Series PZD00A-40\* electronic modules provide options to enhance PWD, PCD driver modules and valves with onboard electronics. The modules are compact and easy to install with DIN rail mounting and plug-in terminals. The digital design allows for programmable parameters such as input signal conditioning, set-points, ramps, mins, maxs, and command output options. The modules provide flexibility for different applications and repeatability from unit to unit. The module parameters are programmed with an RS-232 interface and user friendly software (ProPxD) with default values for the standard valves.

The PZD00A-40\* module contains the functions required by typical proportional valve applications (series D\*FP, D\*\*FH valves, PWD, PCD modules).

### Features

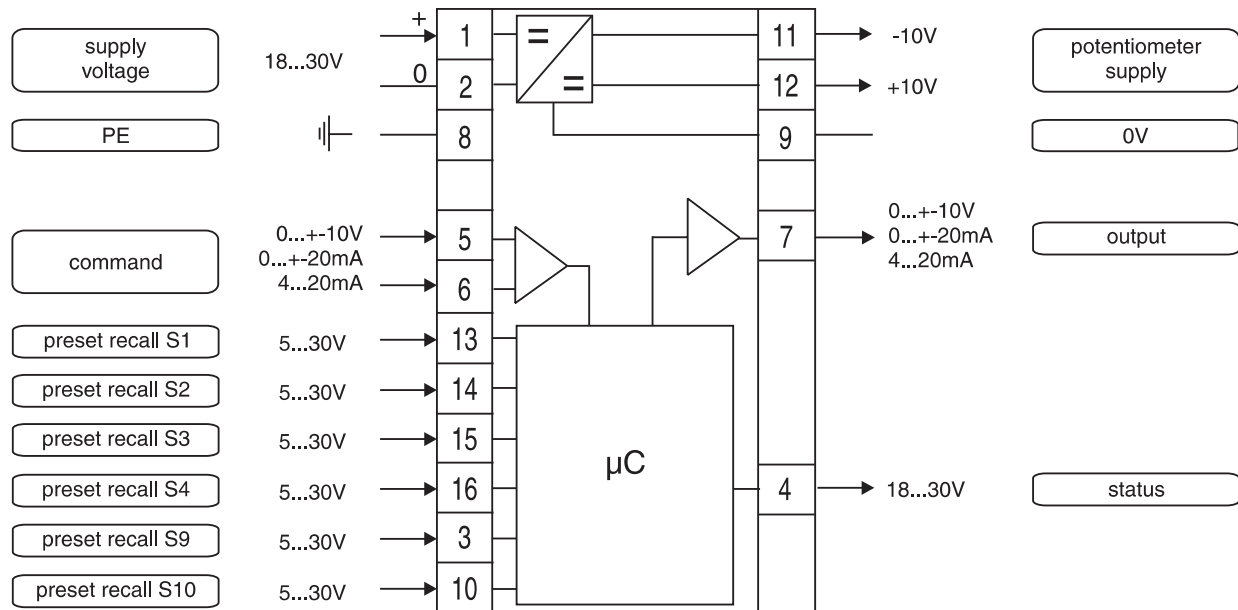
- Setpoints, ramp options, mins, maxs.
- Command output options.
- Programmable parameters.
- Reference voltages.
- RS-232 Interface.
- User friendly programming software.
- Plug-in terminals.
- Compliant with European EMC Standards.



**D**

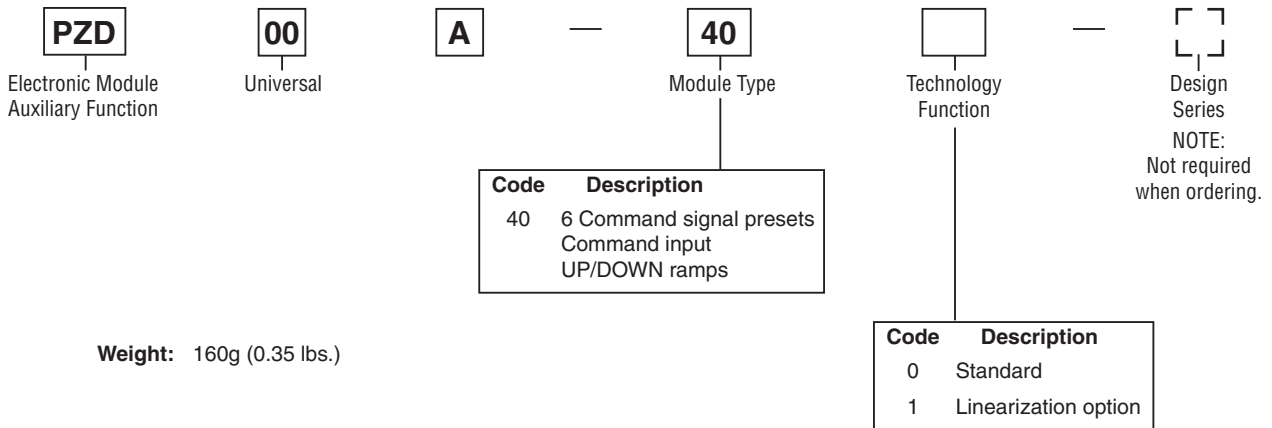


### Block Diagram — Wiring



**WARNING:** This product can expose you to chemicals including Lead, Nickel (Metallic), or 1,3-Butadiene which are known to the State of California to cause cancer, and Lead or 1,3-Butadiene which is known to the State of California to cause birth defects and other reproductive harm. For more information go to [www.P65Warnings.ca.gov](http://www.P65Warnings.ca.gov).  
 D01\_Cat2550.indd, ddp, 04/19

**Ordering Information**

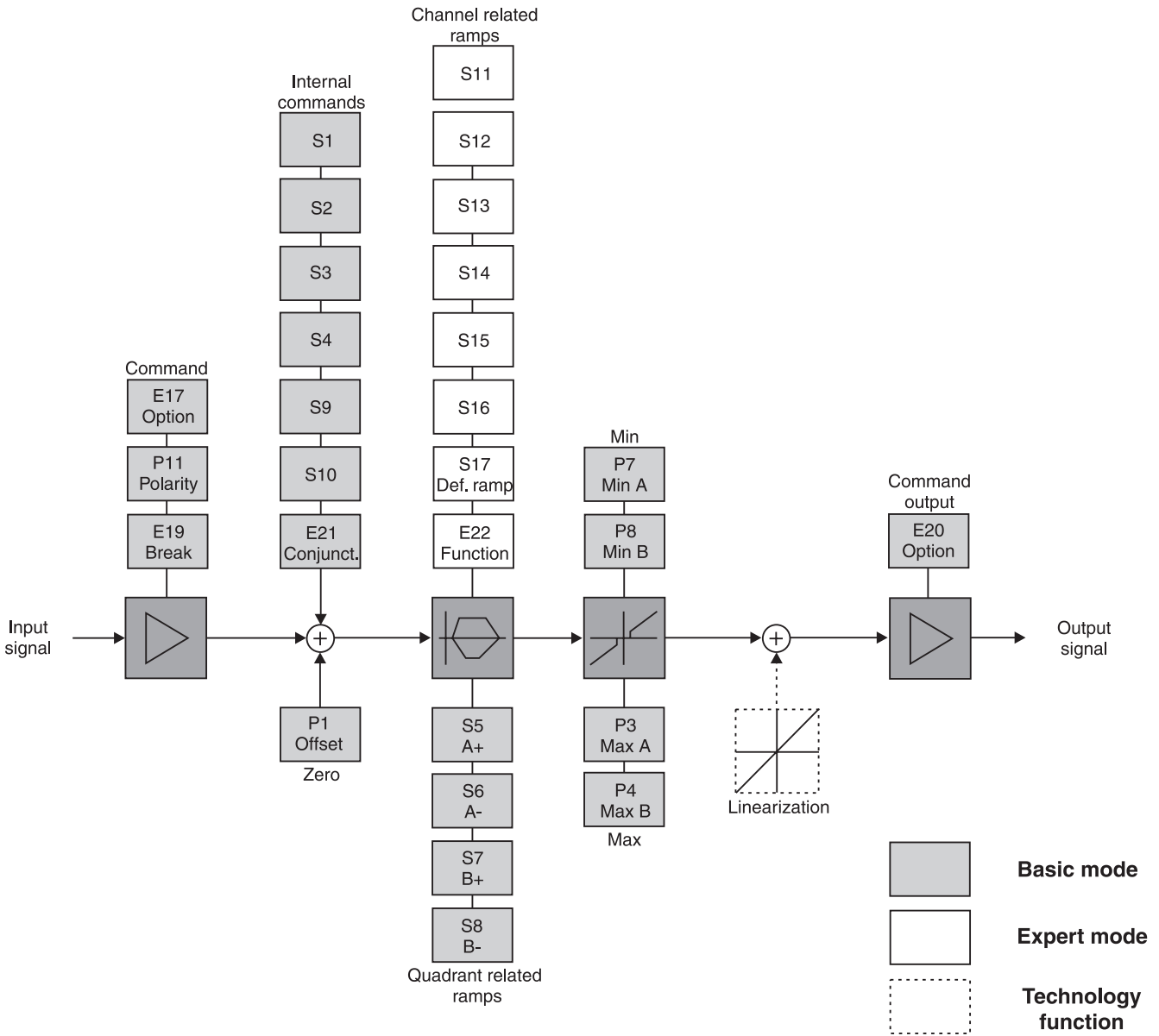


**D**

**Specifications**

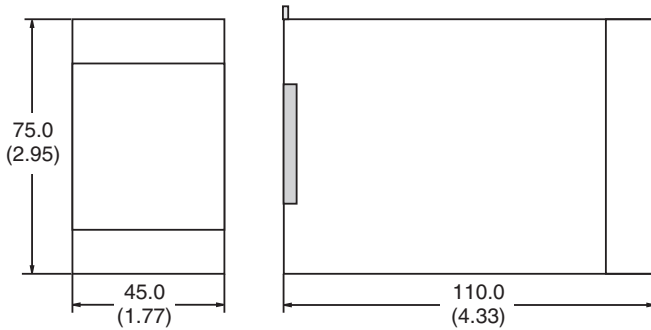
General			
<b>Model</b>	Module package for snap-on mounting on EN 50022 rail	<b>Mounting Position</b>	Any
<b>Package Material</b>	Polycarbonate	<b>Ambient Temperature Range</b>	-20°C to +60°C (-4°F to +140°F)
<b>Inflammability Class</b>	V2 to V0 acc. UL 94	<b>Protection Class</b>	IP 20 acc. DIN 40050
Electrical			
<b>Duty Ratio</b>	100%	<b>Status Signal</b>	Off – 0 to 0.5 VDC; On – Supply Voltage; rated max. 15 mA
<b>Supply Voltage</b>	18 VDC to 30 VDC, ripple < 5% eff., surge free	<b>Output Signal</b>	+10 to 0 to -10 VDC, rated max. 15 mA +20 to 0 to -20 mA, Ro < 500 ohm 4 to 12 to 20 mA, Ro < 500 ohm
<b>Current Consumption Max.</b>	100 mA	<b>Output Signal Resolution</b>	0.025%
<b>Pre-fusing</b>	500 mA medium lag	<b>Reference output</b>	+10 / -10, 2%, rated max. 15 mA
<b>Command Signal</b>	+10 to 0 to -10 VDC, ripple < 0.01 % eff., surge free, Ri = 100K ohm +20 to 0 to -20 mA, ripple < 0.01 % eff., surge free, Ri = 200 Ohm 4 to 12 to 20 mA, ripple < 0.01 % eff., surge free, Ri = 200 Ohm < 3.6 mA = output signal 0 V / 0 mA / 12 mA acc. to output option  > 3.8 mA = output signal on (acc. NAMUR NE43)	<b>Adjustment Ranges</b>	Minimum 0 to 50% Maximum 50 to 100% Cmd Channels +100 to -100% Ramp Time 0 to 32.5 s Zero Offset +100 to -100%
<b>Input Signal Resolution</b>	0.025%	<b>Interface</b>	RS 232C, DSub 9p. male for null modem cable
<b>Differential Input Voltage Max.</b>	30 VDC for terminals 5 and 6 against PE (terminal 8)	<b>EMC</b>	EN 50081-2, EN 50082-2
<b>Channel Recall Signal</b>	Off – 0 to 2.5 VDC On – 5 to 30 VDC Ri = 100K ohm	<b>Connection</b>	Screw terminals 0.2 to 2.5 mm <sup>2</sup> , disconnectable
		<b>Cable Specification</b>	20 AWG overall braid shield
		<b>Cable Length</b>	50m (164 ft.)
Options			
<b>Technology Function</b>	Code 1: Software adjustable transfer function with 10 compensation points for linearization of valve behavior.		

**Signal Flow Diagram**



**Dimensions**

Inch equivalents for millimeter dimensions are shown in (\*\*)



**ProPxD Interface Program**

The new ProPxD software permits comfortable parameter setting for the electronic module series PCD, PWD, PZD and PID.

Via the clearly arranged entry mask the parameters can be noticed and modified. Storage of complete parameter sets to floppy or hard disk is possible as well as printout or record as a text file for further documentation. Stored parameter sets may be loaded anytime and transmitted to the electronic module in the same manner as the basic parameters which are available for all usable valve series. Inside the electronic a nonvolatile memory stores the data with the option for recalling or modification.

**Features**

- User-friendly editing of all parameters.
- Storage and loading of optimized parameter adjustments.
- Executable with all Windows® operating systems from Windows® 95 upwards.
- Communication between PC and electronic via serial interface RS-232 and null modem cable.
- Simple to use interface program. Download free of charge [www.parker.com/euro\\_hcd](http://www.parker.com/euro_hcd) → **Services** → **downloads**

**D**

